

FT Micro Servo Electric Cylinders

Product Specification Catalog

Short-stroke RS485 micro servo electric cylinders for coating die-head adjustment, T-block control, precision fixtures, compact automation axes, and fine positioning.



MODELS

11 FT

STROKE

2-12 mm

FORCE

200-600 N

CONTROL

RS485

FT Series Selection Overview

Clean model naming, product data, and dimension drawing index



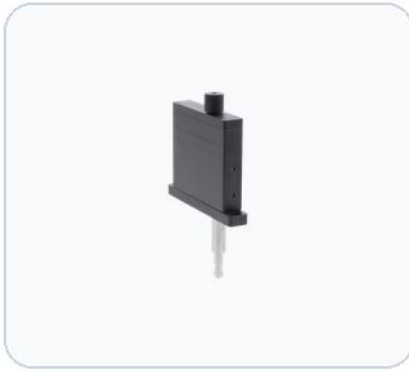
#	New Model	Original / Alias	Type	Stroke	Rated	Max
1	ZHR-MEC-FT-DL-02-200-01	SAG-LT-120202400S (C200)	Direct Type	2mm	200N	400N
2	ZHR-MEC-FT-DL-02-200-02	SAG-LT-120202400Z (C200D)	Direct Type	2mm	200N	400N
3	ZHR-MEC-FT-FA-12-200-03	SAG-FT-120202400XS (B120XS)	Folded Type	12mm	200N	400N
4	ZHR-MEC-FT-FW-12-200-04	SAG-FTW-120202400XS (BW120XS)	Folded Type	12mm	200N	400N
5	ZHR-MEC-FT-FA-12-400-05	SAG-FT-201202400XS (B200XS)	Folded Type	12mm	400N	600N
6	ZHR-MEC-FT-FW-12-400-06	SAG-FTW-201202400XS (BW200XS)	Folded Type	12mm	400N	600N
7	ZHR-MEC-FT-FA-02-400-07	SAG-FT-200202400ZD (B200S)	Folded Type	2mm	400N	600N
8	ZHR-MEC-FT-FA-02-400-08	SAG-FT-200202400ZU (B200U)	Folded Type	2mm	400N	600N
9	ZHR-MEC-FT-FM-02-400-09	SAG-FT-200202400ZUM (B200U man)	Folded Type	2mm	400N	600N
10	ZHR-MEC-FT-FW-02-400-10	SAG-FTW-200202400C (BW200C)	Folded Type	2mm	400N	600N
11	ZHR-MEC-FT-FH-02-400-11	SAG-FT-200202400ZUM (B200UH)	Folded Type	2mm	400N	600N

Selection notes

- DL models are direct linear 2 mm stroke variants for compact precision adjustment. - FA/FW/FM/FH models are folded packages with different wiring or adjustment layouts. - Final suitability should be validated against duty cycle, side load, thermal behavior, installation stiffness, and safety requirements.

ZHR-MEC-FT-FA-12-200-03

Folded Type | Original model: SAG-FT-120202400XS (B120XS)



STROKE

12mm

RATED FORCE

200N

MAX FORCE

400N

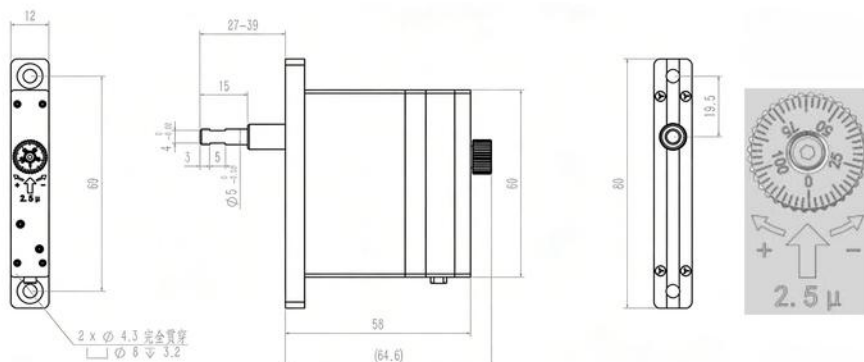
REPEATABILITY

+/-0.002mm

Technical specifications

New Model	ZHR-MEC-FT-FA-12-200-03
Original Model / Alias	SAG-FT-120202400XS (B120XS)
Series / Type	FT Standard Series / Folded Type
Rated Voltage	12V
Operating Temperature	-10~60°C
Rated Current	1A
Peak Current	3.4A
Communication	RS485
Screw	Planetary roller screw
Motor	Coreless brushless DC motor
Output / Wiring	Aviation plug
Cylinder Size	12mm
T-Block Fit	T > 12.5mm

2D dimension drawing



ZHR-MEC-FT-FW-12-200-04

Folded Type | Original model: SAG-FTW-120202400XS (BW120XS)



STROKE

12mm

RATED FORCE

200N

MAX FORCE

400N

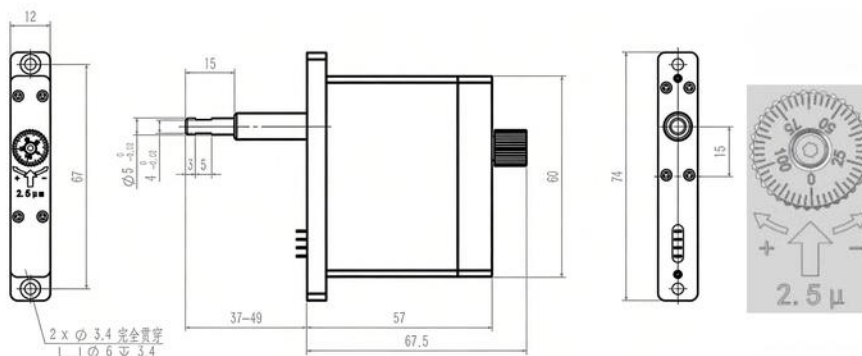
REPEATABILITY

+/-0.002mm

Technical specifications

New Model	ZHR-MEC-FT-FW-12-200-04
Original Model / Alias	SAG-FTW-120202400XS (BW120XS)
Series / Type	FT Standard Series / Folded Type
Rated Voltage	12V
Operating Temperature	-10~60°C
Rated Current	1A
Peak Current	3.4A
Communication	RS485
Screw	Planetary roller screw
Motor	Coreless brushless DC motor
Output / Wiring	Direct plug
Cylinder Size	12mm
T-Block Fit	T > 12.5mm

2D dimension drawing



ZHR-MEC-FT-FA-12-400-05

Folded Type | Original model: SAG-FT-201202400XS (B200XS)



STROKE

12mm

RATED FORCE

400N

MAX FORCE

600N

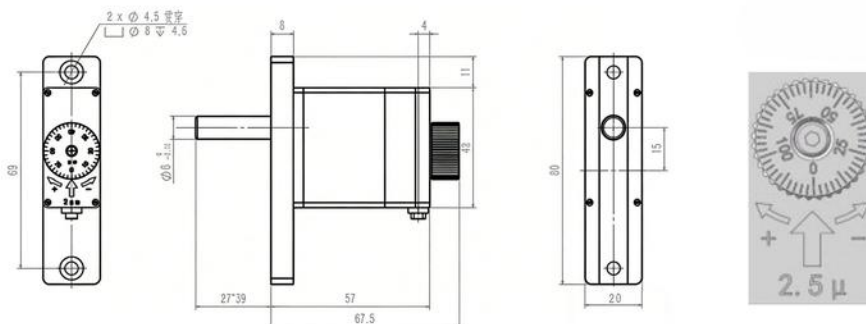
REPEATABILITY

+/-0.002mm

Technical specifications

New Model	ZHR-MEC-FT-FA-12-400-05
Original Model / Alias	SAG-FT-201202400XS (B200XS)
Series / Type	FT Standard Series / Folded Type
Rated Voltage	12V
Operating Temperature	-10~60°C
Rated Current	400mA
Peak Current	2A
Communication	RS485
Screw	Planetary roller screw
Motor	Coreless brushless DC motor
Output / Wiring	Aviation plug
Cylinder Size	20mm
T-Block Fit	T > 20mm

2D dimension drawing



ZHR-MEC-FT-FW-12-400-06

Folded Type | Original model: SAG-FTW-201202400XS (BW200XS)



STROKE

12mm

RATED FORCE

400N

MAX FORCE

600N

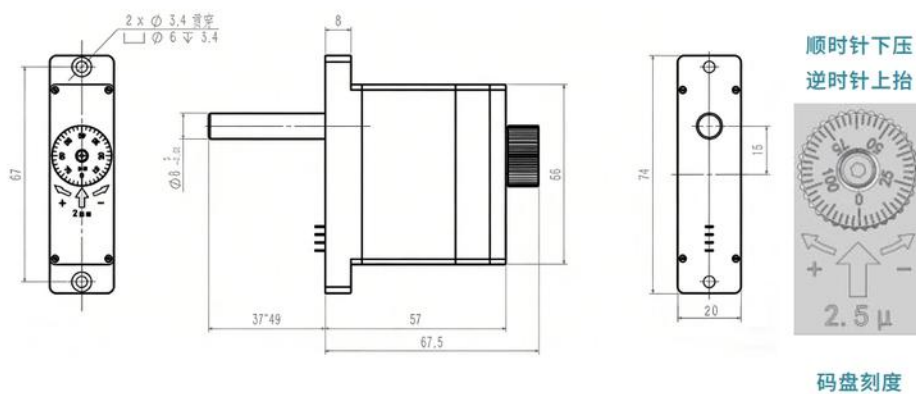
REPEATABILITY

+/-0.002mm

Technical specifications

New Model	ZHR-MEC-FT-FW-12-400-06
Original Model / Alias	SAG-FTW-201202400XS (BW200XS)
Series / Type	FT Standard Series / Folded Type
Rated Voltage	12V
Operating Temperature	-10~60°C
Rated Current	800mA
Peak Current	2A
Communication	RS485
Screw	Planetary roller screw
Motor	Coreless brushless DC motor
Output / Wiring	Direct plug
Cylinder Size	20mm
T-Block Fit	T > 20mm

2D dimension drawing



Industrial
robotic
claw

ZHR-MEC-FT-FA-02-400-07

Folded Type | Original model: SAG-FT-200202400ZD (B200S)



STROKE

2mm

RATED FORCE

400N

MAX FORCE

600N

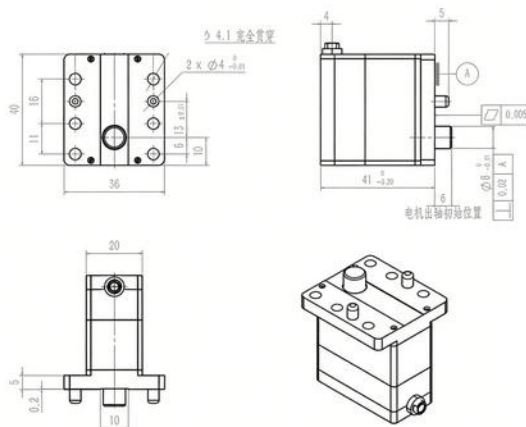
REPEATABILITY

+/-0.002mm

Technical specifications

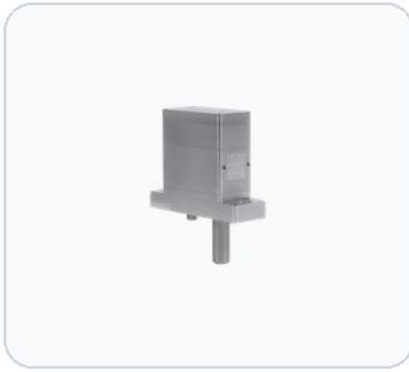
New Model	ZHR-MEC-FT-FA-02-400-07
Original Model / Alias	SAG-FT-200202400ZD (B200S)
Series / Type	FT Standard Series / Folded Type
Rated Voltage	12V
Operating Temperature	-10~60°C
Rated Current	800mA
Peak Current	2A
Communication	RS485
Screw	Planetary roller screw
Motor	Coreless brushless DC motor
Output / Wiring	Aviation plug
Cylinder Size	20mm
T-Block Fit	T > 36mm, suitable for lower-layer die-head control

2D dimension drawing



ZHR-MEC-FT-FA-02-400-08

Folded Type | Original model: SAG-FT-200202400ZU (B200U)



STROKE

2mm

RATED FORCE

400N

MAX FORCE

600N

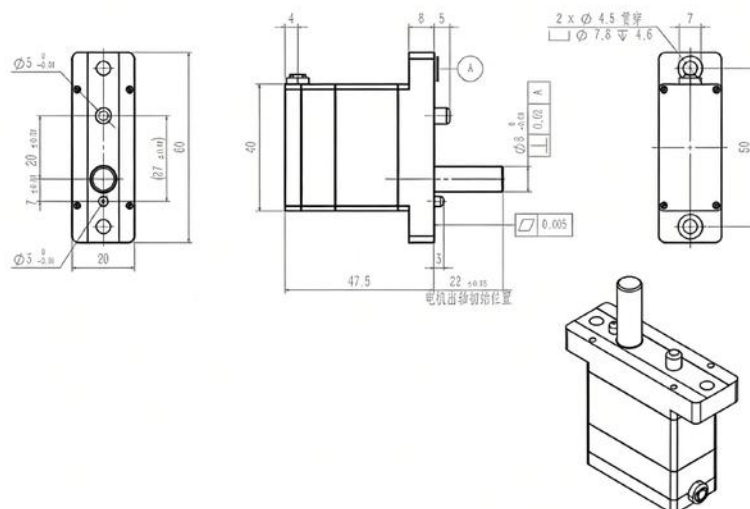
REPEATABILITY

+/-0.002mm

Technical specifications

New Model	ZHR-MEC-FT-FA-02-400-08
Original Model / Alias	SAG-FT-200202400ZU (B200U)
Series / Type	FT Standard Series / Folded Type
Rated Voltage	12V
Operating Temperature	-10~60°C
Rated Current	800mA
Peak Current	2A
Communication	RS485
Screw	Planetary roller screw
Motor	Coreless brushless DC motor
Output / Wiring	Aviation plug
Cylinder Size	20mm
T-Block Fit	T > 20mm

2D dimension drawing



ZHR-MEC-FT-FM-02-400-09

Folded Type | Original model: SAG-FT-200202400ZUM (B200U manual-auto integrated)



STROKE

2mm

RATED FORCE

400N

MAX FORCE

600N

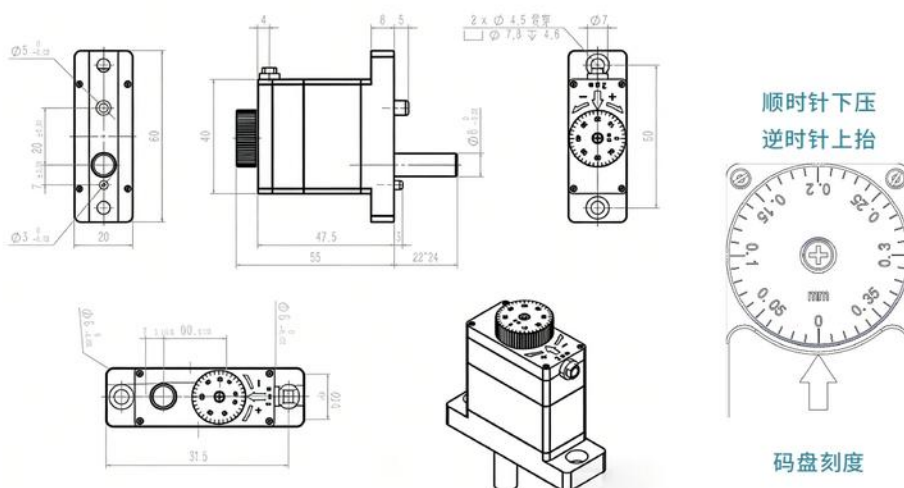
REPEATABILITY

+/-0.002mm

Technical specifications

New Model	ZHR-MEC-FT-FM-02-400-09
Original Model / Alias	SAG-FT-200202400ZUM (B200U manual-auto integrated)
Series / Type	FT Standard Series / Folded Type
Rated Voltage	12V
Operating Temperature	-10~60°C
Rated Current	800mA
Peak Current	2A
Communication	RS485
Screw	Planetary roller screw
Motor	Coreless brushless DC motor
Output / Wiring	Aviation plug
Cylinder Size	20mm
T-Block Fit	T > 20mm

2D dimension drawing



ZHR-MEC-FT-FW-02-400-10

Folded Type | Original model: SAG-FTW-200202400C (BW200C)



STROKE

2mm

RATED FORCE

400N

MAX FORCE

600N

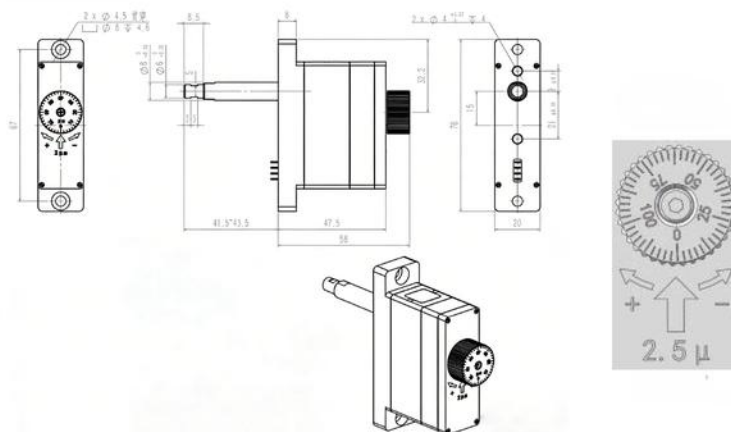
REPEATABILITY

+/-0.002mm

Technical specifications

New Model	ZHR-MEC-FT-FW-02-400-10
Original Model / Alias	SAG-FTW-200202400C (BW200C)
Series / Type	FT Standard Series / Folded Type
Rated Voltage	12V
Operating Temperature	-10~60°C
Rated Current	800mA
Peak Current	2A
Communication	RS485
Screw	Planetary roller screw
Motor	Coreless brushless DC motor
Output / Wiring	Aviation plug
Cylinder Size	20mm
T-Block Fit	T >= 25mm

2D dimension drawing



ZHR-MEC-FT-FH-02-400-11

Folded Type | Original model: SAG-FT-200202400ZUM (B200UH)



STROKE

2mm

RATED FORCE

400N

MAX FORCE

600N

REPEATABILITY

+/-0.002mm

Technical specifications

New Model	ZHR-MEC-FT-FH-02-400-11
Original Model / Alias	SAG-FT-200202400ZUM (B200UH)
Series / Type	FT Standard Series / Folded Type
Rated Voltage	12V
Operating Temperature	-10~60°C
Rated Current	800mA
Peak Current	2A
Communication	RS485
Screw	Planetary roller screw
Motor	Coreless brushless DC motor
Output / Wiring	Aviation plug
Cylinder Size	20mm
T-Block Fit	T >= 25mm

2D dimension drawing

